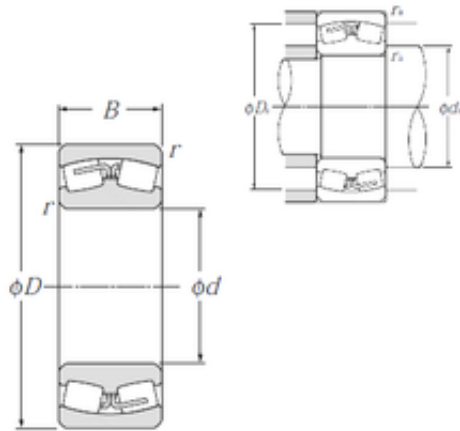


670 mm x 1 220 mm x 438 mm NTN 232/670B Spherical Roller Bearings



Bearing No. 232/670B

Size	670x1220x438 mm
Bore Diameter	670 mm
Outer Diameter	1220 mm
Width	438 mm
d	670 mm
D	1 220 mm
B	438 mm
C	438 mm
r min.	12 mm
da min.	724 mm
Da max.	1 166 mm
ra max.	10 mm
Weight	2 270 Kg
Basic dynamic load rating (C)	16 100 kN
Basic static load rating (C0)	32 000 kN
(Grease) Lubrication Speed	220 r/min
(Oil) Lubrication Speed	280 r/min
Calculation factor (e)	0,36
Calculation factor (Y0)	1,85
Calculation factor (Y1)	1,89

232/670B Bearing 2D drawings and 3D CAD models