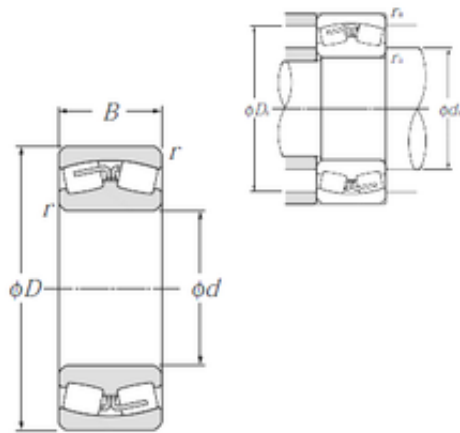


## 180 mm x 280 mm x 100 mm NTN 24036C Spherical Roller Bearings



Bearing No. 24036C

Size	180x280x100 mm
Bore Diameter	180 mm
Outer Diameter	280 mm
Width	100 mm
d	180 mm
D	280 mm
B	100 mm
C	100 mm
r min.	2,1 mm
da min.	192 mm
Da max.	268 mm
ra max.	2 mm
Weight	23 Kg
Basic dynamic load rating (C)	965 kN
Basic static load rating (C0)	1 770 kN
(Grease) Lubrication Speed	1 200 r/min
(Oil) Lubrication Speed	1 500 r/min
Calculation factor (e)	0,33
Calculation factor (Y0)	2
Calculation factor (Y1)	2,04

24036C Bearing 2D drawings and 3D CAD models