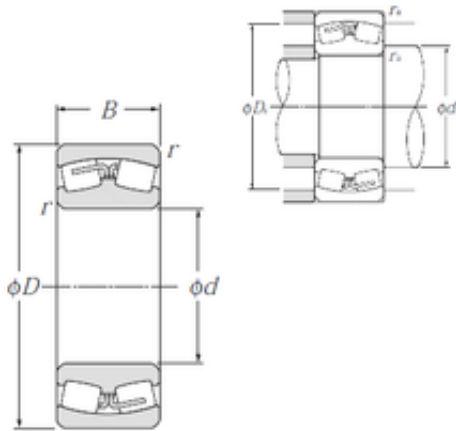


360 mm x 480 mm x 90 mm NTN 23972 Spherical Roller Bearings



Bearing No. 23972

Size	360x480x90 mm
Bore Diameter	360 mm
Outer Diameter	480 mm
Width	90 mm
d	360 mm
D	480 mm
B	90 mm
C	90 mm
r min.	3 mm
da min.	374 mm
Da max.	466 mm
ra max.	2,5 mm
Weight	47,2 Kg
Basic dynamic load rating (C)	1 320 kN
Basic static load rating (C0)	2 930 kN
(Grease) Lubrication Speed	630 r/min
(Oil) Lubrication Speed	820 r/min
Calculation factor (e)	0,17
Calculation factor (Y0)	3,9
Calculation factor (Y1)	3,99
rs min	3 mm
Number of lubrication holes	8
b	14 mm
k	8 mm
e	0.17

23972 Bearing 2D drawings and 3D CAD models



FB Bearing Machine Co., Ltd

Y1	3.99
Y2	5.93
Y0	3.9
Radial clearance class	CN
Dynamic load, C	1,320 kN
Static load, C0	2,930 kN
Fatigue limit load, Cu	271 kN
Nref	800 rpm
Nlim	1,100 rpm
Min operating temperature, Tmin	-40 ° C
Max operating temperature, Tmax	120 ° C
Characteristic cage frequency, FTF	0.47 Hz
Characteristic rolling element frequency, BSF	14.5 Hz
Characteristic outer ring frequency, BPF0	17.7 Hz
Characteristic inner ring frequency, BPF1	20.3 Hz
da min	372.4 mm
Da max	467.6 mm
ra max	2.5 mm
Category	Bearings
Inventory	0.0
Manufacturer Name	NTN
Minimum Buy Quantity	N/A
Weight / Kilogram	44.96
Product Group	B04311