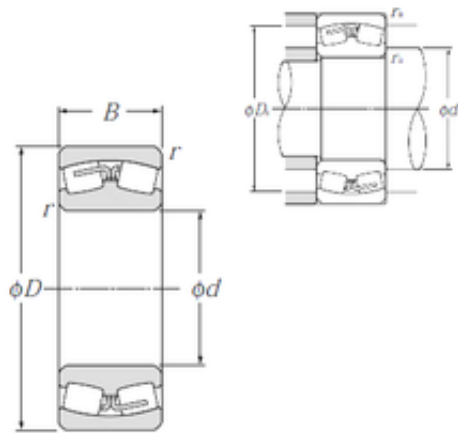


950 mm x 1 250 mm x 224 mm NTN 239/950 Spherical Roller Bearings



Bearing No. 239/950

Size	950x1250x224 mm
Bore Diameter	950 mm
Outer Diameter	1250 mm
Width	224 mm
d	950 mm
D	1 250 mm
B	224 mm
C	224 mm
r min.	7,5 mm
da min.	986 mm
Da max.	1 214 mm
ra max.	6 mm
Weight	774 Kg
Basic dynamic load rating (C)	7 750 kN
Basic static load rating (C0)	20 500 kN
(Grease) Lubrication Speed	190 r/min
(Oil) Lubrication Speed	250 r/min
Calculation factor (e)	0,16
Calculation factor (Y0)	4,11
Calculation factor (Y1)	4,2

239/950 Bearing 2D drawings and 3D CAD models